

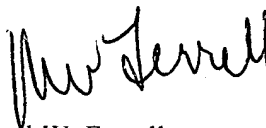
REMARKS

This application is on appeal. While preparing the *Brief on Appeal* it was observed that the subject matter of Claim 8 had earlier been incorporated into Claim 1, which should have been canceled. The other amendments correct dependency to reflect the cancellation of Claim 8.

Also, while preparing the *Brief*, it was noticed that pleats **30** were mislabeled on **Figure 13B**. A corrected sheet is included, together with an annotated sheet.

Entry of the above amendments after *Final Rejection* is respectfully requested inasmuch as the amendments merely correct typographical errors.

Respectfully submitted,



Michael W. Ferrell
Attorney for Applicant
Reg. No. 31,158

Ferrells, PLLC
P.O. Box 312
Clifton, Virginia 20124-1706
Telephone: (703) 968-8600
Facsimile: (703) 968-5500
November 17, 2004



FIG. 13A

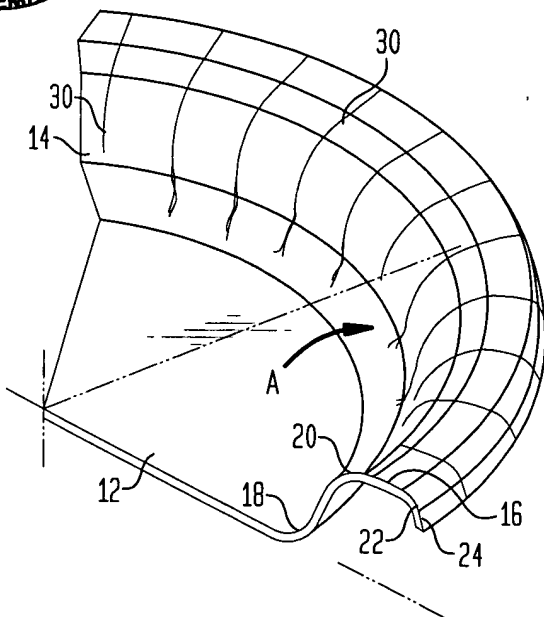


FIG. 13B

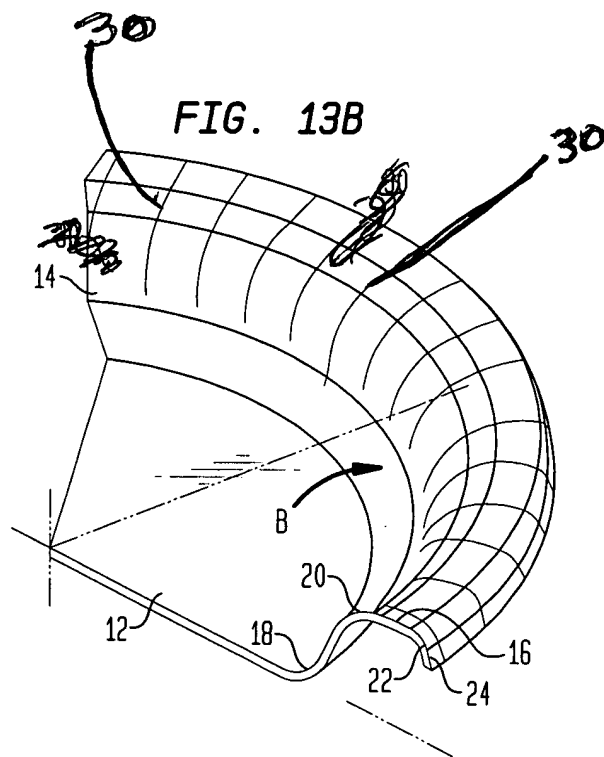


FIG. 13C

